



Tarzan - TD12B1 - 032836 - No
(Family) (Model) (Part #) (In Stock)

Electrical Specifications

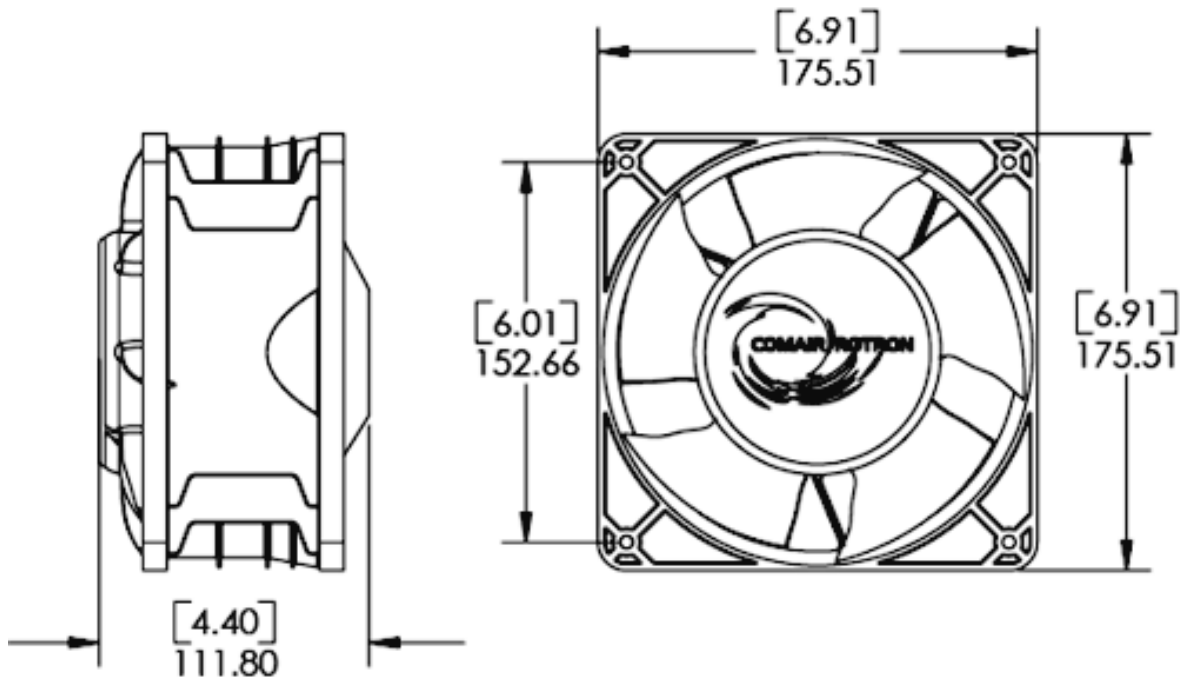
Operating Voltage:	12 Volts
Voltage Range:	6 - 14 Volts
Power Supply:	36.0 Watts
Line Current:	3.00 Amps
Locked Rotor Current	7.00 Amps
Nominal Speed:	3200 RPM

Mechanical Specifications

Dimensions:	6.9 x 6.9 x 4.4 in
Weight	79.38 oz
Max Airflow @ 0 in H ₂ O	320.0 CFM
Max Pressure @ 0 CFM	0.630 in H ₂ O
Noise	n/a



Mechanical Drawing





Fan Performance Curve

Fan Configuration Options

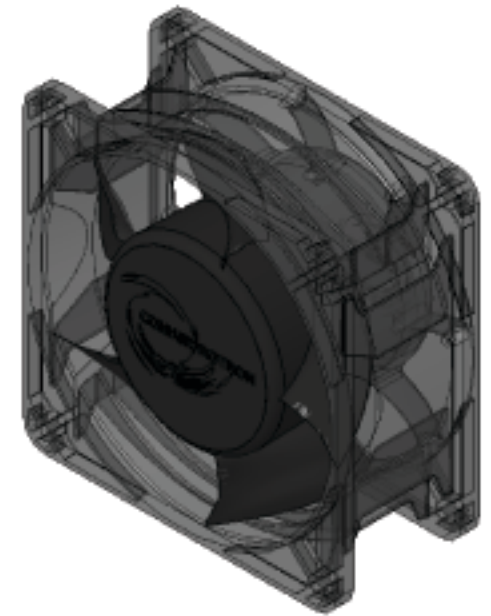
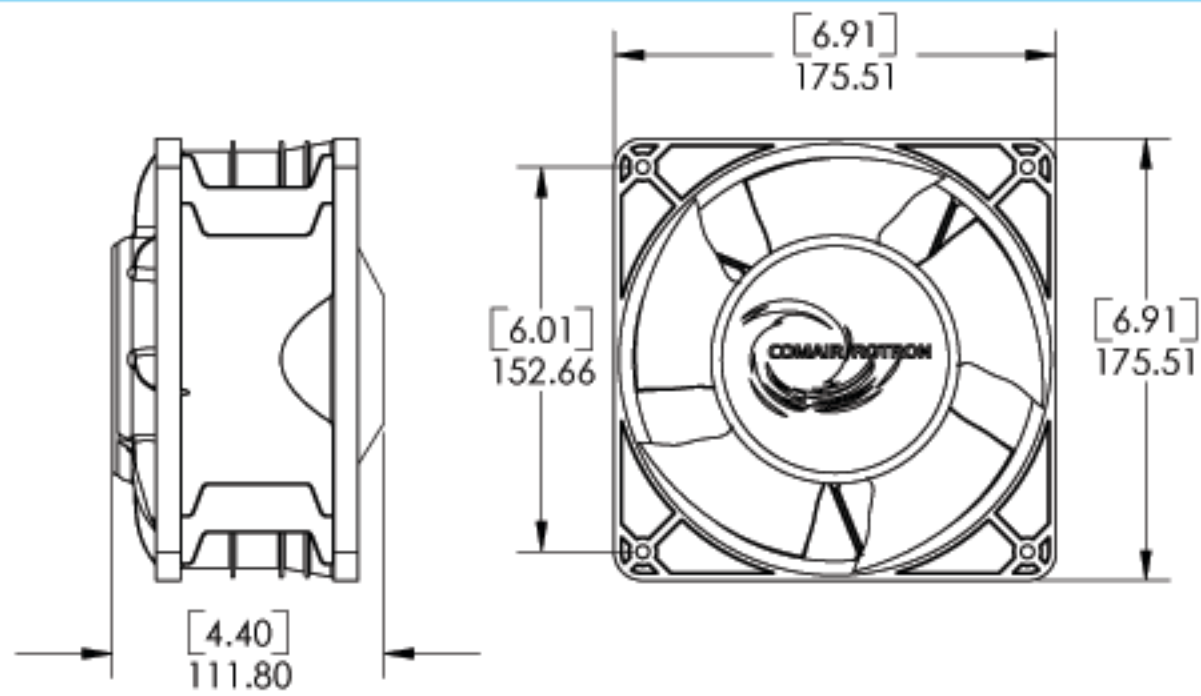
Tarzan (Family)	TD12B1 (Model)	/ 032836 (Part #)	No (In Stock)	305 mm [12 inch] Leads (Features)
---------------------------	--------------------------	-----------------------------	-------------------------	---

Fan Speed:	3200 RPM	Fan Bearings:	Ball Bearings
Fan Airflow Direction:	Flow L (CW Rotation)	Fan Termination:	Leads

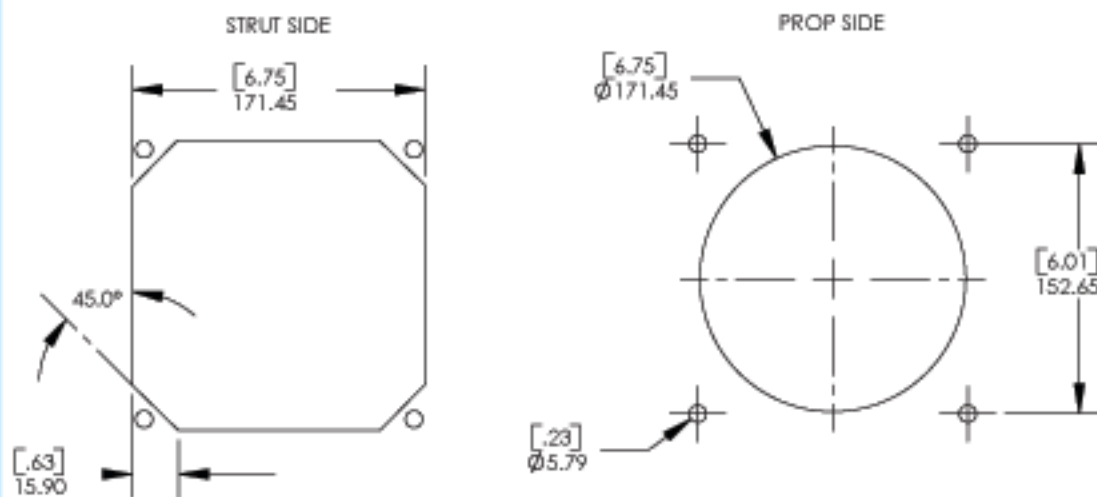
Fan Monitoring Options:	No Fan Monitoring Options Selected
--------------------------------	---

Fan Speed Control Option:	No ThermaPro-V Fan Speed Control Options Selected
----------------------------------	--

Environmental Protection Options:	No Enviroshield Options Selected
--	---



RECOMMENDED CUTOUT



CONTACT INFO: WWW.COMAIRROTRON.COM		3D MODEL FOUND AT...	
TOLERANCE UNLESS OTHERWISE SPECIFIED 2 PL. DEC. 4.00 (1.0) 3 PL. DEC. 4.00 (1.0) ANGULAR 1.50	AMERICAN PROJECTION FIRST ANGLE	3D MODEL FOUND AT...	
TARZAN DC			